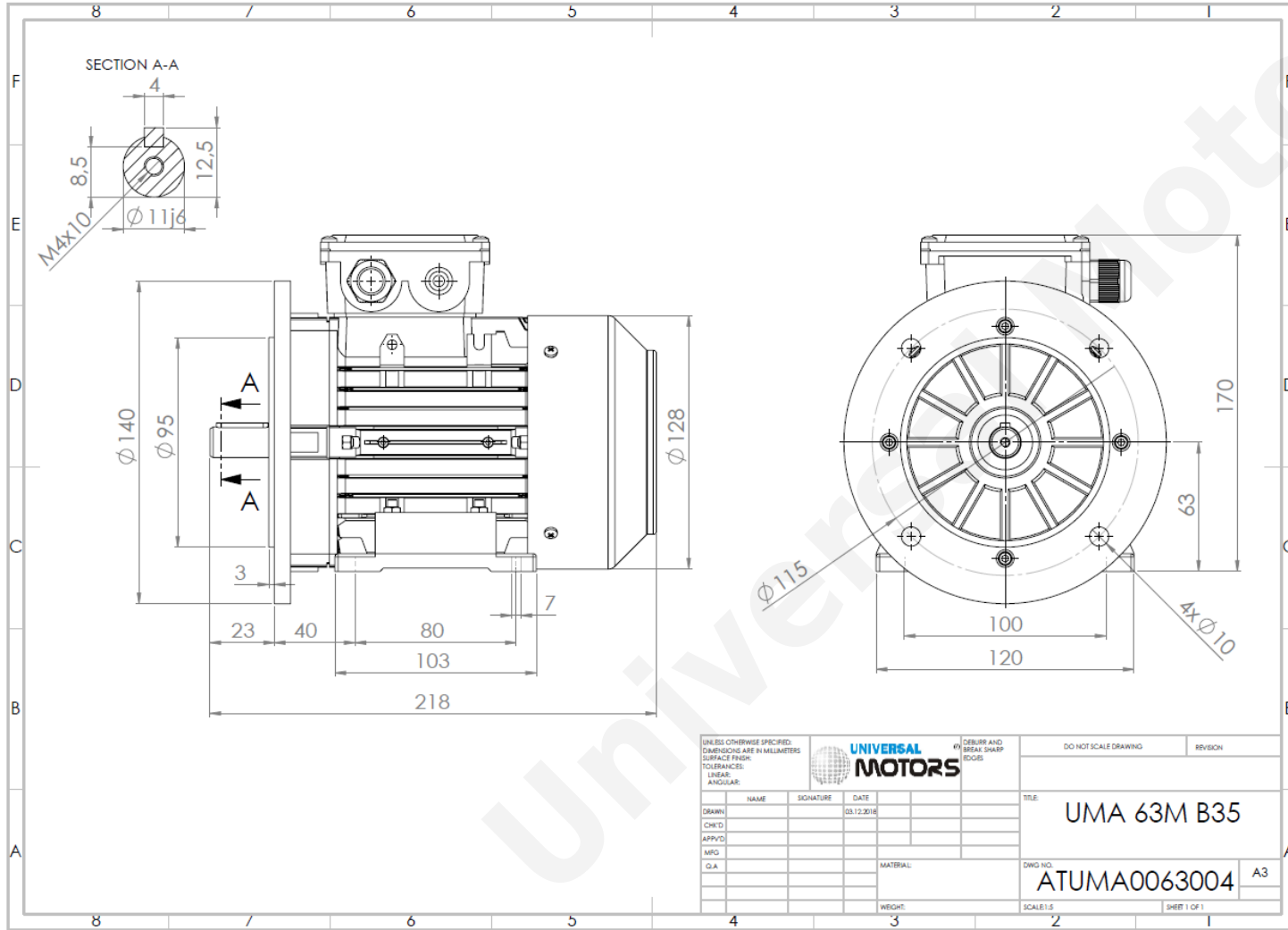




# TECHNICAL DATA

Three Phase Electric Motors - Aluminum Frame  
 UM2A 63M2-6  
 0.12 kW / 0.16 Cv  
 850 RPM



Motor type: **UM2A 63M2-6**  
 Output: **0.12 kW / 0.16 Cv**  
 Speed (min<sup>-1</sup>): **850 RPM**  
 Frequency: **50 Hz**  
 Voltage: **400 V**  
 Current: **0.51 A**  
 Power factor (Cos Ø): **0.67**  
 Poles: **6**  
 Insulation class: **F**  
 Temperature rise Class: **B**  
 Efficiency 50%: **42.4 %**  
 Efficiency 75%: **50.2 %**  
 Efficiency 100%: **50.6 %**  
 Torque: **1.35 N.m**  
 Tstarting/Tnominal: **1.8**  
 Istarting/Inominal: **2.7**  
 Tmaximum/Tnominal: **2.0**  
 Noise: **50 Db(A)**  
 Weight: **4.5 Kg**  
 Bearing DE: **6201 2Z**  
 Bearing NDE: **6201 2Z**

Regime - S1

Altitude - 1000m

Environment Temperature - 40°C

## CONTACTS:

UNIVERSAL MOTORS      Tel: +351 252 299 080  
 Rua de São Brás,745      Fax: +351 252 299 089  
 4480-782 VILA DO CONDE      Mail: [geral@universalmotors.pt](mailto:geral@universalmotors.pt)

\* References applied only in the UK